

Servicebulletin

33399D01

High pressure swivel – fewer parts

STOCKHOLM August 25, 2015

SUMMARY

Enhanced design with fewer parts for the high pressure swivel components introduced.

APPLIES TO

All QS, 90U and 90USA(-S) breathing apparatus, and SpiroGuide.

DESCRIPTION

An improved design with fewer parts in the spare part kit “Friction Washer Kit, 5-pack” (460 190 192) has been introduced.

The item number for the spare part “Friction Washer Kit, 5-pack” is unchanged.

The instructions in this bulletin replaces older instructions describing “Replacing O-ring and Friction Washer in Swivel” in relevant service manuals, as well as instructions in older Service Bulletins (about the High Pressure Swivel).

NOTE! Do not mix new and old parts.

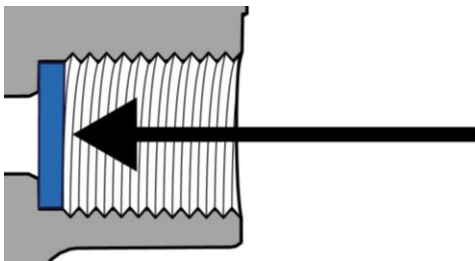
INSTRUCTION

Disassembly

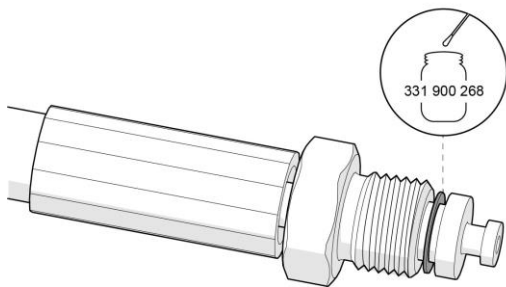
Disassemble the high pressure hose according to the instructions in relevant service manual.

Assembly

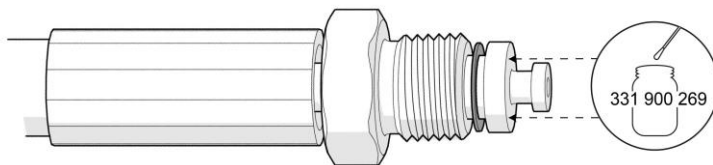
1. Push the new Support Ring down to the bottom of the manifold/adapter (below the threads).



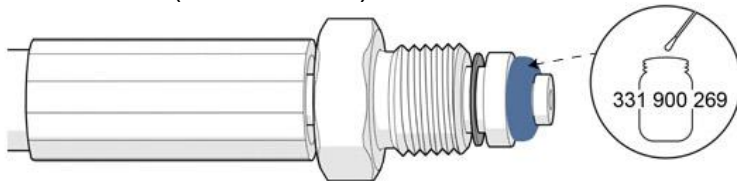
2. Lubricate both sides of the anti-friction washer, mounted on the hose nipple, with Special Lubricant (331 900 268). Make sure that no lubricant is applied on the threads.



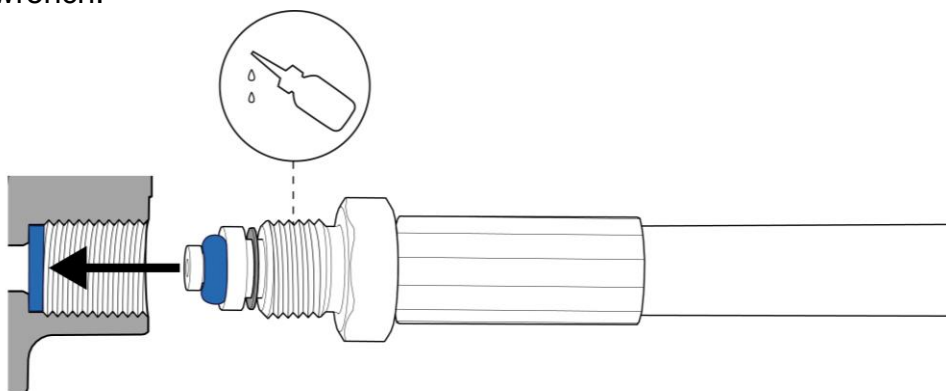
3. Lubricate the surface on the nipple pointed out in the drawing below with Silicone Lubricant (331 900 269).



4. Lubricate a new O-ring (part of Friction Washer Kit 460 190 192) with Silicone Lubricant (331 900 269) and assemble it on the hose nipple.



5. Apply two drops of Locking Compound (460 190 846) on the threads of the nipple. Tighten with a torque of 15 Nm using a torque wrench adapter on a torque wrench.



NOTE! Make sure that all sealing surfaces of the male counterpart (whistle/adaptor) are not scratched or damaged before connecting the hose nipple. If so, this could lead to leakage.